

Field Replaceable Units (FRU) Parts List

This chapter provides a list of field replaceable units (FRU's) for the printer.

Changes to Xerox parts are made to accommodate improved components as they become available. It is important when ordering parts to include the following information:

- Component part number.
- Printer serial number.

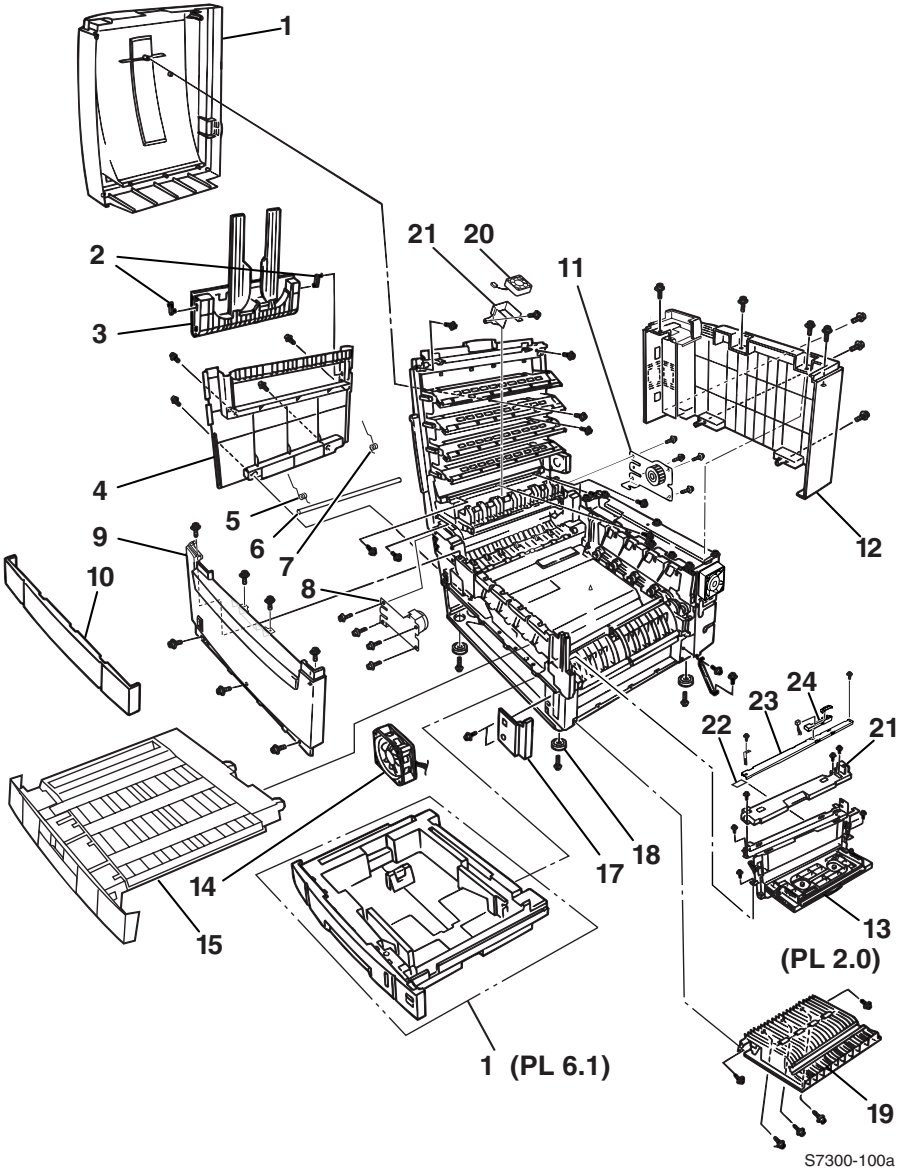
Using the parts list

- The numbers shown in each illustration correspond to the parts list number for that illustration.
- The notation “with X~Y” following a part name indicates an assembly that is made up of components X through Y. For example, “1 (with 2~4)” means part 1 consists of part 2, part 3, and part 4.
- An asterisk * following a part name indicates the page contains a note about this part.
- A notation “(part of item 1.1)” indicates that the part is included with parent assembly Part 1.1 (PL1.0, line item 1).
- A part called out in an illustration with *kit* as the part number, indicates the part is available in a kit and the part number is found in the Kit section of the parts list.

Contents

Using the parts list	7 - 193
PL 1.0 - Covers	7 - 194
PL 2.0 - MPT Pick Assembly	7 - 196
PL 3.0 - Printer Control Components Boards	7 - 198
PL 4.0 - Top Cover Inner Frame	7 - 200
PL 5.1 - Printer Unit Chassis (1 of 2)	7 - 202
PL 5.2 - Printer Unit Chassis (2 of 2) and Power Supplies	7 - 204
PL 6.1 - Paper Tray 1	7 - 206
PL 6.2 - Lower Tray Deck & Lower Tray Assembly (Trays 2, 3, 4, 5)	7 - 208
Kits	7 - 210
Hardware Kit	7 - 210
Gear kit	7 - 210
Harness kit	7 - 211
Flag Kit	7 - 212
Supplies and Accessories	7 - 213

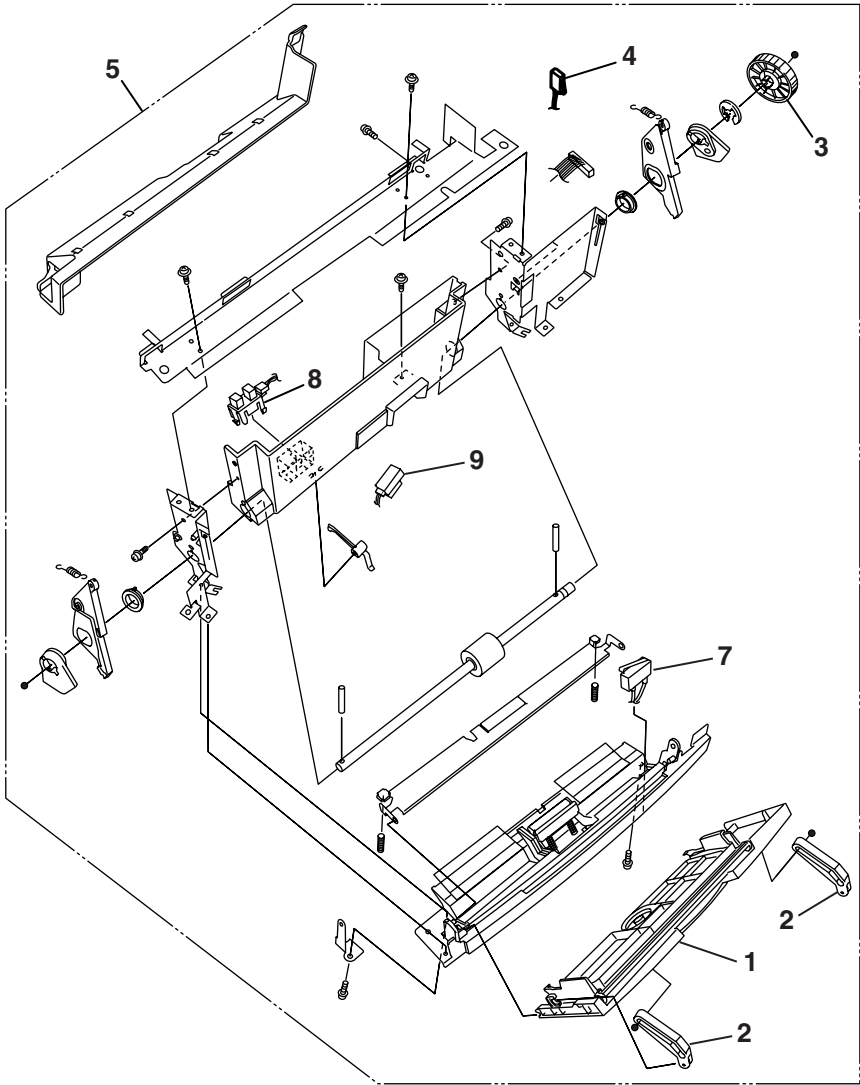
PL 1.0 - Covers



FRU Parts List 1.0 - Covers

No.	Part Number	Qty	Name / Description
1	116-0998-00	1	Top Cover
2	116-1061-00	2	Side Output Tray Links
3	116-1083-00	1	Side Output Tray
4	116-1006-00	1	Left Side Cover
5	116-1051-00	1	Top Cover Hinge Spring - Front
6	116-1053-00	1	Top Cover Hinge Shaft
7	116-1052-00	1	Top Cover Hinge Spring - Rear
8	116-1055-00	1	Top Cover Damper - Front
9	116-1551-00	1	Front Cover
10	116-1039-00	1	Duplex Slot Cover
11	116-1056-00	1	Top Cover Damper - Rear
12	116-1005-00	1	Rear Cover
13	116-1561-00	1	MPT Pick Assembly (PL 2.0)
14	116-1066-00	1	Front PS Fan
15	119-6403-00	1	Duplex Transport Assembly
16	116-1552-00	1	Universal Paper Tray 1 (PL 6.0)
17	116-1565-00	1	Top Fuser Fan Duct
18	116-1008-00	4	Foot
19	116-1084-00	1	Right Side Cover (Door A)
20	116-1564-00	1	Top Fuser Cooling Fan
21	116-1018-00	1	MPT Top Cover
22	116-1213-00	1	Temperature/Humidity Sensor Board
23	116-1577-00	1	Pickup Plate Assembly
24	116-1578-00	1	Pickup Cover Assembly

PL 2.0 - MPT Pick Assembly

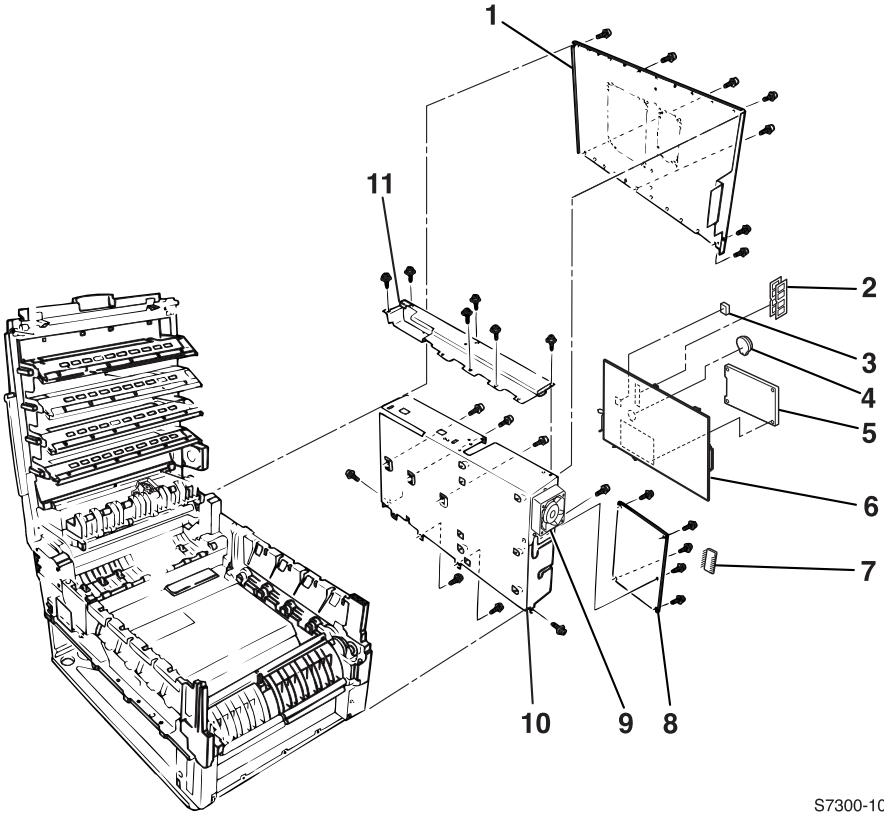


S7300-101

FRU Parts List 2.0 - MPT Pick Assembly and Components

No.	Part number	Qty	Name / description
1	116-1017-00	1	MPT Tray
2	012E12690	2	MPT Links (Front and Rear)
3	Gear Kit	1	MPT Drive Gear
4	116-1025-00	1	Top Cover Interlock Switch
5	116-1561-00	1	MPT Pick Assembly (with 5, 7, 8, 9)
6			
7	not spared	1	MPT Roller Home Sensor (part of MPT Pick Assembly)
8	not spared	1	MPT Empty Sensor (part of MPT Pick Assembly)
9	not spared	1	MPT OHP Sensor (part of MPT Pick Assembly)

PL 3.0 - Printer Control Components Boards

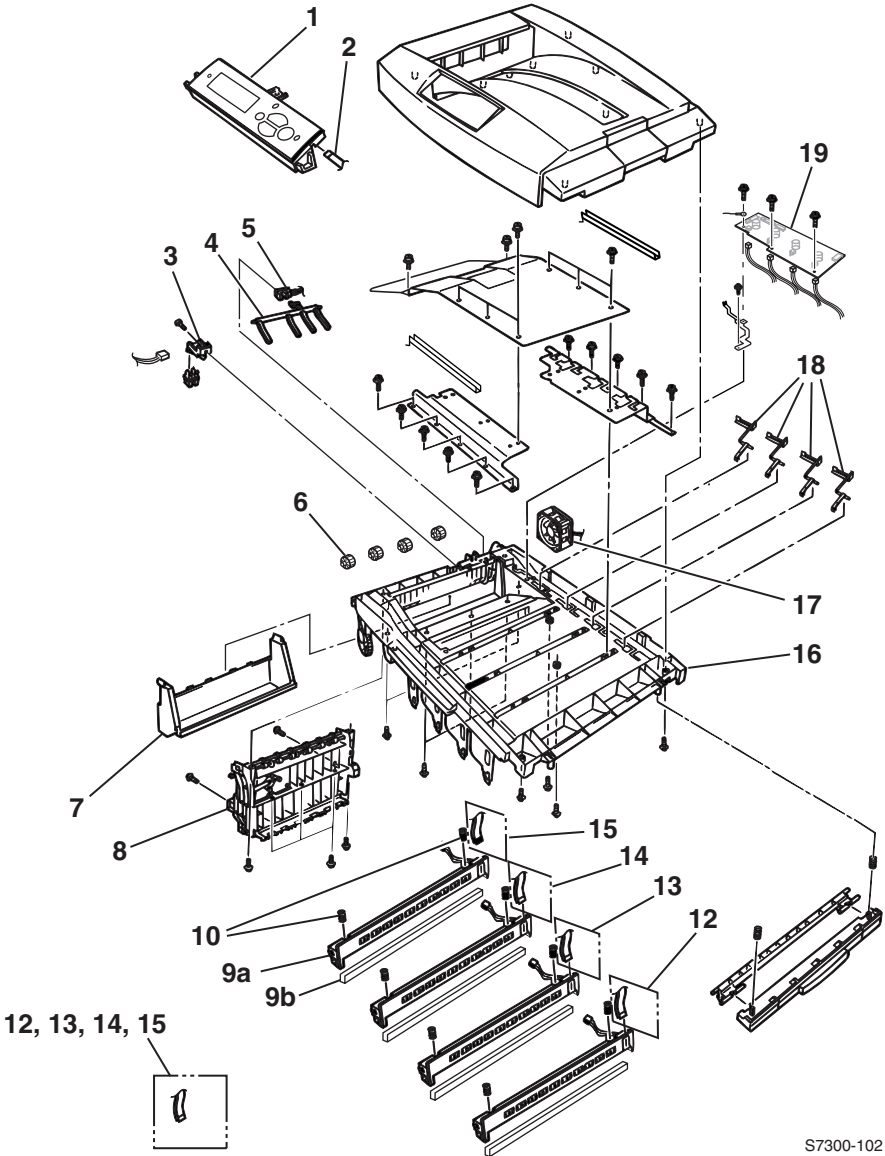


S7300-105

FRU Parts List 3.0 - Printer Control Components - Boards

No.	Part number	Qty	Name / Description
1	116-1060-00	1	Rear Shield Plate
2	156-4838-00 156-4837-00 156-4663-00	1 1 1	IC Memory; CMOS; SDRAM; 64MB; PC133; SODIMM 128MB; PC133; SODIMM; 256MB; PC133; SODIMM;
3		1	NVRAM
4	163-1481-00 163-1484-00	1 1	Configuration Chip: Base Network Upgrade
5	650-4240-00	1	Optional Hard Drive
6	671-5273-80	1	Image Processor Board
7	116-1572-00	1	Print Engine Controller Board EEPROM
8	116-1538-00	1	Print Engine Controller Board
9	116-1023-00	1	Electrical Cage Fan
10	116-1050-00	1	Electrical Card Cage
11	116-1059-00	1	Top Cable Shield

PL 4.0 - Top Cover Inner Frame

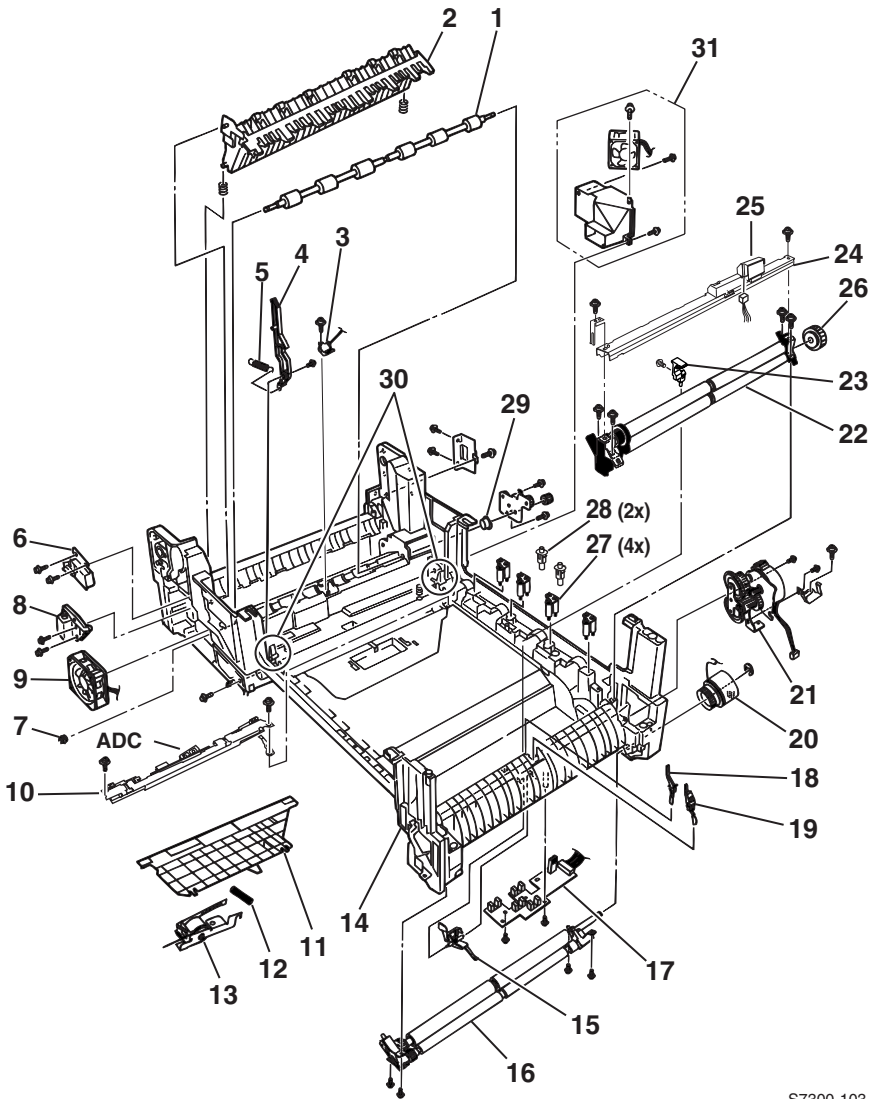


S7300-102

FRU Part List 4.0 - Top Cover Inner Frame Components

No.	Part number	Qty	Name / Description
1	333-4383-00	1	Front Panel Assembly
2	Harness Kit	1	Front Panel Harness
3	116-1054-00	1	Top Output Eject Sensor
4	Flag Kit	1	Stack Full Sensor Actuator
5	116-1000-00	1	Stack Full Sensor
6	Hardware Kit		Exit Rollers
7	116-1057-00	1	Top Output Tray
8	116-1549-00	1	Eject Guide Assembly
9a	116-1547-00	4	LED Head 600 dpi
9b	116-0012-00	4	LED Head Holder
10	Hardware Kit	1	LED Assembly Spring
11			
12	LED Harness Kit	1	Black LED Wiring Harness
13	LED Harness Kit	1	Yellow LED Wiring Harness
14	LED Harness Kit	1	Magenta LED Wiring Harness
15	LED Harness Kit	1	Cyan LED Wiring Harness
16	116-1548-00	1	Top Cover Inner Frame
17	116-1024-00	1	Rear Fuser Cooling Fan
18	Flag Kit	1	Toner Cartridge Sensor Actuator
19	116-1586-00	1	Toner Sensor Board

PL 5.1 - Printer Unit Chassis (1 of 2)

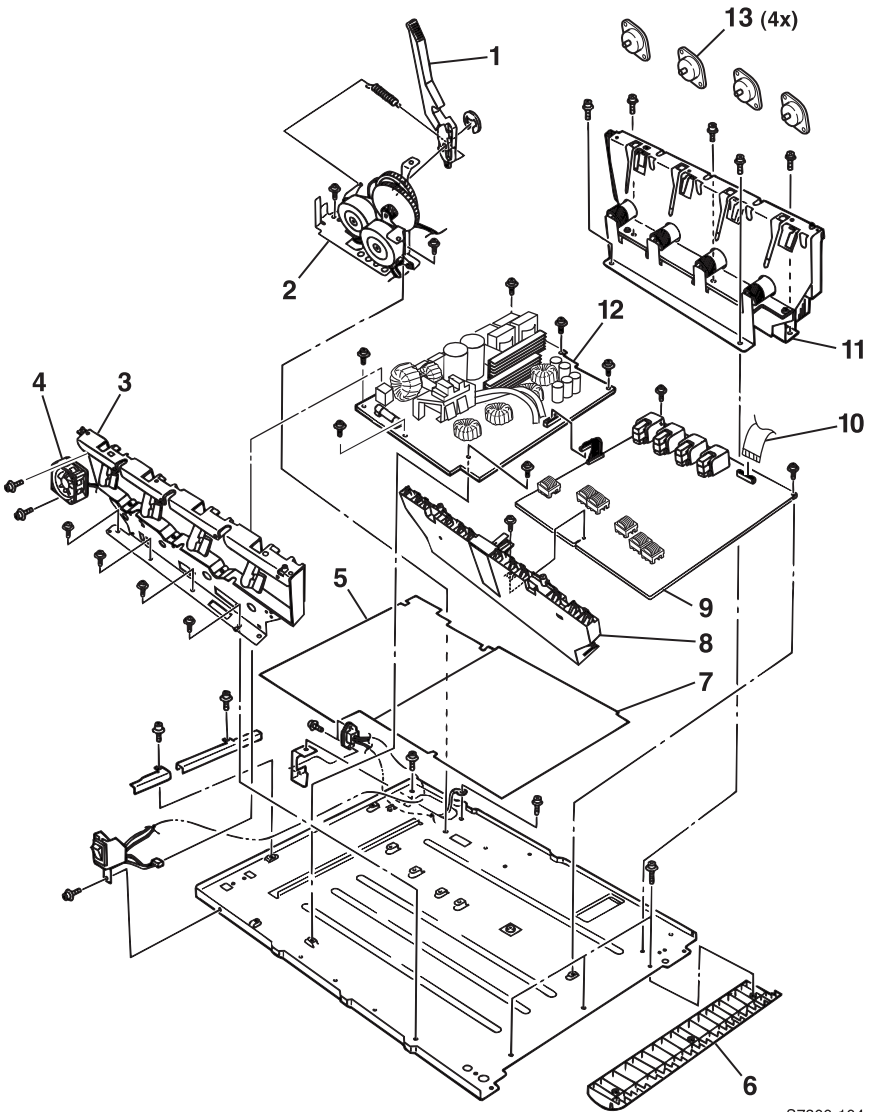


S7300-103

FRU Part List 5.1 - Printer Unit Chassis (1 of 2)

No.	Part number	Qty	Name / Description
1	116-1022-00	1	Fuser Exit Roller
2	116-1019-00	1	Duplex Guide Assembly
3	116-1587-00	1	Fuser Exit Sensor Assembly
4	003E55690	1	Fuser Latching Handle (Front)
5	Hardware Kit	1	Fuser Latch Handle Spring
6	116-1021-00	1	Top/Side Output Solenoid
7	Hardware Kit	1	Fuser Exit Roller Bushing (Front)
8	116-1020-00	1	Duplex Gate Solenoid Assembly
9	116-1066-00	1	Front Power Supply Fan
10	116-1573-00	1	Color Registration Sensor Assembly (includes ADC Sensor)
11	116-1570-00	1	Color Registration Plate Shutter (includes Color Chip for ADC and Tag number)
12	Hardware Kit	1	Registration Shutter Spring
13	116-1569-00	1	Color Registration Shutter Solenoid
14	116-1558-00	1	Printer Unit Chassis
15	Flag Kit	1	Registration Entrance Sensor Actuator (B)
16	116-1015-00	1	Registration Roller Assembly (B)
17	160K79190	1	Entrance Sensor Board
18	Flag Kit	1	Transfer Belt Entrance Sensor Actuator)
19	Flag Kit	1	MPT Entrance Sensor Actuator
20	116-1563-00	1	Registration Clutch
21	116-1559-00	1	Registration Motor Assembly
22	116-1560-00	1	Registration Roller Assembly (A)
23	not spared	1	Auto Thickness Sensor Anvil
24	116-1577-00	1	Pickup Plate Assembly
25	116-1578-00	1	Pickup Cover Assembly
26	Gear Kit	1	Registration Drive Gear (A)
27	115K01970	4	Drum Contact Assembly (3-Pin)
28	116-1068-00	2	Transfer Unit Contact Assembly
29	Hardware Kit	1	Fuser Exit Roller Bushing (Back))
30	650-4242-01	1	Transfer Unit Latch
31	116-1028-00	1	Rear Power Supply Fan

PL 5.2 - Printer Unit Chassis (2 of 2) and Power Supplies

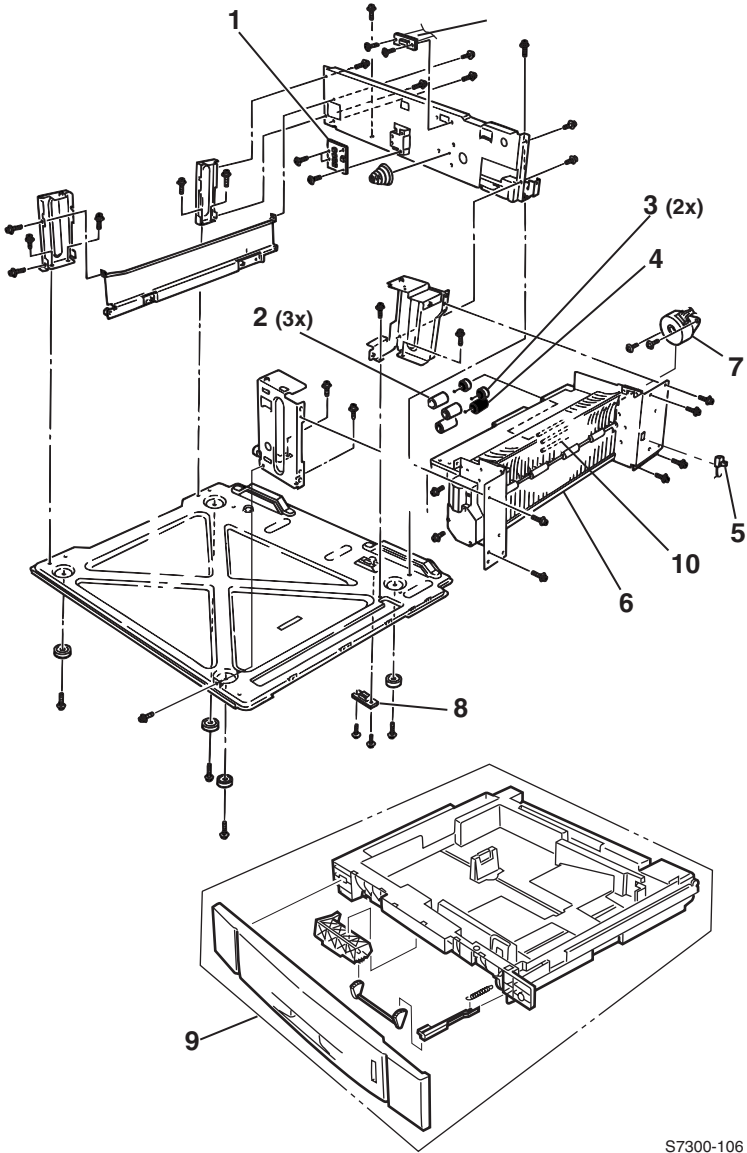


S7300-104

FRU Parts List 5.2 - Printer Unit Chassis (2 of 2) and Power Supplies

No.	Part number	Qty	Description
1	003E55700	1	Fuser Latching Handle (Rear)
2	116-1556-00	1	Transfer Unit Motor Assembly
3	116-1029-00	1	Front Plate Assembly
4	116-1215-00	1	Front Chassis Fan
5	116-1034-00	1	LVPS Insulator
6	116-1067-00	1	Duplex Exit Paper Guide
7	116-1033-00	1	HVPS Insulator
8	116-1557-00		Imaging Unit Contact Assembly (HV)
9	116-1568-00	1	High Voltage Power Supply
10	Harness Kit	1	High Voltage Harness
11	116-1554-00	1	Back Plate Assembly w/Drive Gears
12	116-1536-00 116-1537-00	1 1	(115 VAC) Low Voltage Power Supply (220 VAC) Low Voltage Power Supply
13	116-1064-00	1	Imaging Unit Motor

PL 6.1 - Paper Tray 1

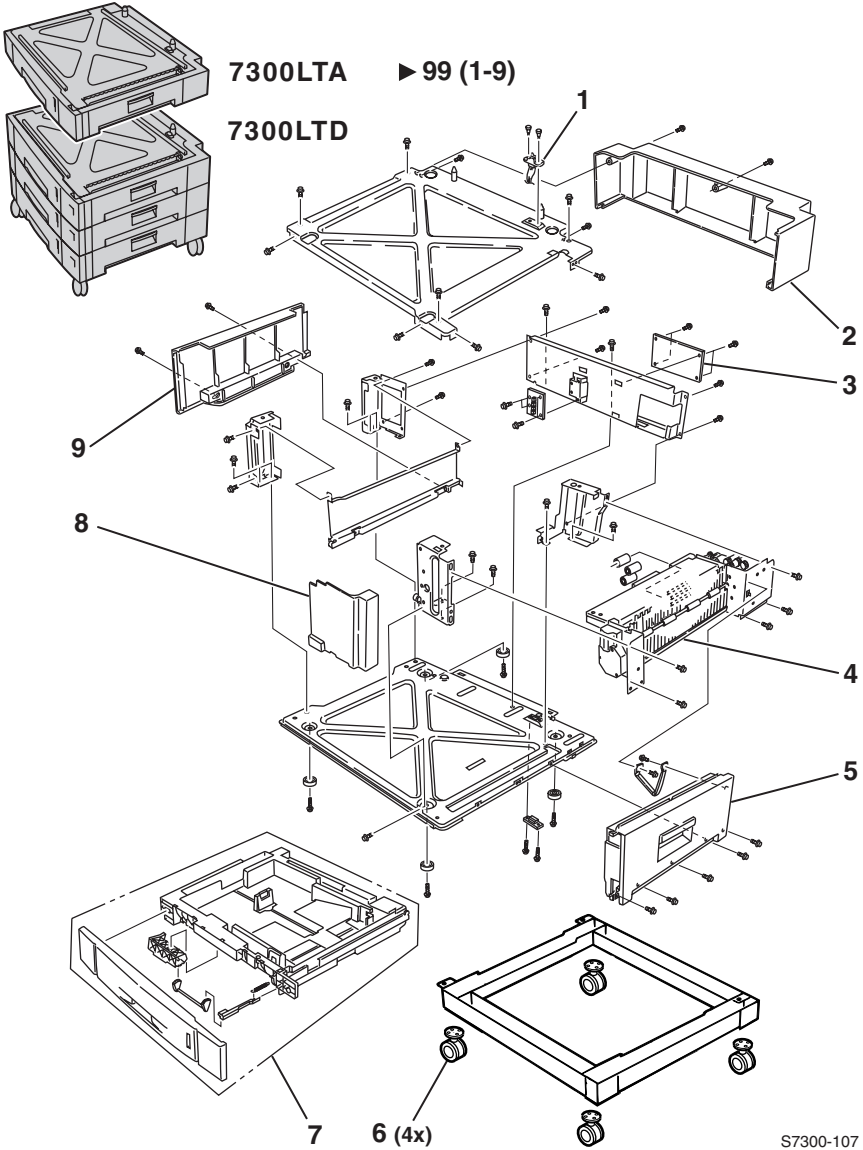


S7300-106

FRU Parts List 6.1 - Paper Tray 1

No.	Part number	Qty	Name / Description
1	116-1007-00		Paper Size Sensor Board with Ribbon Harness
2	116-1062-00		Paper Feed Roller Kit (3 Rollers)
3	116-1216-00		Bearing, One-Way, Feed Roller
4	116-1562-00		Torque Limiter, Retard Roller
5	116-1065-00		Door A Interlock Switch
6	116-1553-00		Main Feeder Assembly
7	116-1555-00		Paper Feed Motor
8	116-1085-00		Bottom LTA Connector
9	116-1552-00		Paper Tray Cassette (Tray 1 only)
10	116-1643-00		Jam Access Shutter w/ Return Spring

PL 6.2 - Lower Tray Deck & Lower Tray Assembly (Trays 2, 3, 4, 5)



FRU Parts List 6.2 - Lower Tray Deck and Lower Tray Assembly (Trays 2, 3 4, 5)

No.	Part number	Qty	Name / Description
	119-6402-00	1	Lower Tray Deck (LTD) w/ Trays
	119-6401-00	1	Lower Tray Assembly (LTA)
1	116-1040-00	1	LTA Top Connector
2	116-1044-00	1	LTA Rear Cover
3	116-1581-00	1	LTA Controller Board
4	116-1047-00	1	Lower Feeder Assembly (LTA, 1st & 2nd Tray of LTD)
	116-1645-00	1	LTD Feeder Assembly (3rd Tray of LTD)
5	116-1046-00	1	LTA Right Side Cover (Door)
6	116-1013-00	4	Caster Wheel
7	116-1580-00	1	LTA/LTD Media Tray (Trays 2, 3, 4, 5)
8	116-1043-00	1	LTA Front Right Cover
9	116-1045-00	1	LTA Left Cover

Hardware Kit

Part number	Name / Parts Included
116-1038-01	Hardware Kit
	LED Assembly Spring Kit
	Fuser Exit Roller Bushing (Front)
	Fuser Exit Roller Bushing (Back)
	Registration Shutter Spring
	Fuser Latch Handle Springs
	Screw (T3x8)
	Screw (T3x10)
	Screw (T4x10)
	Screw (M2x8)
	Screw (M3x6)
	Screw (M3x8)
	Screw (M4x8)
	Screw (SP3x10)
	Screw (T4X6)
	Screw (T4X8)
	Exit Rollers

Gear kit

Part number	Name / Parts Included
116-1037-01	Gear Kit
	Main Feeder Drive Gear
	Fuser Drive Gear A
	Fuser Drive Gear B
	Fuser Drive Gear C
	Registration Drive Gear A
	Multi-Purpose Tray Drive Gear
	Imaging Unit Drive Gear

Harness kit

Part number	Name / Parts Included
116-1590-00	Harness Kit
	Front Panel Harness
	High Voltage Harness
	Fuser Motor, Transfer Unit Motor
	MPT Entrance Sensor, Entrance Sensor Board, OHP Sensor
	Tray 1 Paper Empty Sensor, Paper Low Sensor
	Tray Lift Motor
	Tray 1 Paper Feed Sensor
	Color Registration Sensor and ADC Sensor
	Imaging Unit Sensor Board
	Entrance Sensor Board
	Tray Sensors
	Duplex Unit
	Engine Controller Board, LVPS
	Right Door A / Face Up Tray
	Inline Connector
	Job Offset, Fuser Fan
	Imaging Unit Motor
	Tray 1 Feed Motor, Registration Motor
	Tray 1 Pick Motor, Feed Motor
	Temperature/Humidity Sensor
	MPT Empty Sensor, Near Empty Sensor
	Paper Size Board
	OPTN Cable
	Toner Sensor Board

LED Harness Kit

Part number	Name / Parts Included
116-1584-00	LED Harness Kit
	LED Harness M
	LED Harness C
	LED Harness Y
	LED Harness K

Flag Kit

Part number	Name / Parts Included
116-1036-01	Flag Kit
	Stack Full Sensor Actuator
	Toner Sensor Actuator (qty of 4)
	Exit Sensor Actuator
	Registration Entrance Sensor A Actuator
	Registration Entrance Sensor B Actuator
	Registration A Exit Sensor Actuator
	Tray 1 Paper Low Actuator
	Tray 1 No Paper Sensor Actuator
	Transfer Unit Waste Full Sensor Actuator

Supplies and Accessories

Toner Vacuum and Accessories

Description	Part Number
Vacuum, Toner, 110V	003-1496-00
Vacuum, Toner, 220V	003-1497-00
Filter for Toner Vacuum, Type II	003-1498-00

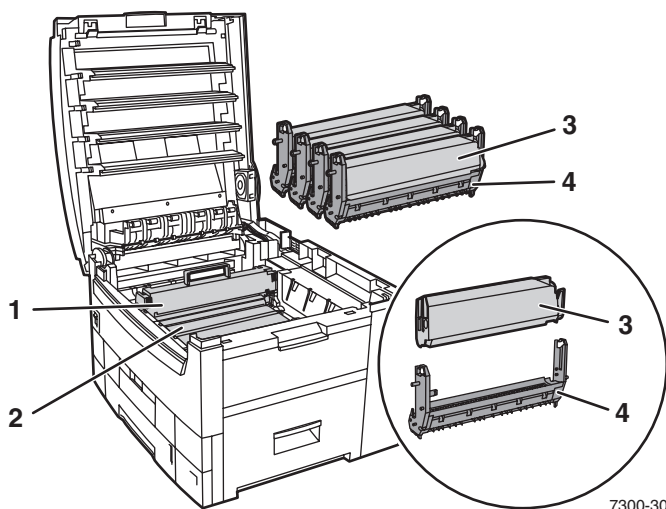
Packaging

Description	Part Number
Repackaging Kit, Phaser 7300	065-0617-00
Repackaging Kit, Phaser 7300	065-0621-00
7300 Shipping Box	004-5229-00
Replacement Shipping Box (LTD)	004-4523-00
Replacement Shipping Box (LTA)	004-5290-00

Manuals and CD's

Description	Part Number
Service Manual	071-0862-00
Printer Installation and Utilities CD-ROM	063-3417-00
Printer Management Software Tools CD-ROM	063-3418-00
Interactive Documentation CD-ROM	063-3426-00
World Kit Plus A-size Media Sample Pack	061-4464-00
World Kit Plus A4-size Media Sample Pack	061-4465-00

Customer Replaceable Consumables



No.	Consumable	Part Number
1	Fuser	
	110 Volt	016-1998-00
	220 Volt	016-1999-00
2	Transfer Unit	016-2000-00
3	Toner Cartridges:	
	Standard Capacity Yellow	016-1975-00
	Standard Capacity Magenta	016-1974-00
	Standard Capacity Cyan	016-1973-00
	Standard Capacity Black	016-1976-00
	High Capacity Yellow	016-1979-00
	High Capacity Magenta	016-1978-00
	High Capacity Cyan	016-1977-00
	High Capacity Black	016-1980-00
4	Imaging Units	
	Cyan	016-1993-00
	Magenta	016-1994-00
	Yellow	016-1995-00
	Black	016-1996-00

Paper and Media

Phaser Professional Printing Paper

Item	Size	Description	Part Number
Phaser Premium Color Printing Paper 90 g/m ² (24 lb. bond)	A/Letter (U.S.) 8.5 x 11 in.	500 sheets	016-1368-00
	A4 (Metric Letter) 210 x 297 mm	500 sheets	016-1369-00
	B 11 x 17 in.	500 sheets	016-1699-00
	A3 297 x 420 mm	500 sheets	016-1700-00
	SRA3 320 x 450 mm	500 sheets	016-1901-00
	Tabloid Extra 12 x 18 in.	500 sheets	016-1900-00
Phaser Glossy Coated Paper 148 g/m ² (100 lb. book)	A/Letter (U. S.) 8.5 x 11 in.	100 sheets	016-1704-00
	A4 (Metric Letter) 210 x 297 mm	100 sheets	016-1705-00
	11 x 17 in.	50 sheets	016-1718-00
	A3	50 sheets	016-1719-00
	SRA3	50 sheets	016-1941-00
	12 x 18 in.	50 sheets	016-1940-00

Phaser 35 Series Transparency Film

Item	Size	Description	Part Number
Premium	A/Letter (U. S.) 8.5 x 11 in.	50 sheets	016-1896-00
Premium	A4 (Metric Letter) 210 x 297 mm	50 sheets	016-1897-00
Standard	A/Letter (U. S.) 8.5 x 11 in.	50 sheets	016-1894-00
Standard	A4 (Metric Letter) 210 x 297 mm	50 sheets	016-1895-00

Phaser Color Laser Labels

Size	Description	Part Number
A/Letter (U. S.) 8.5 x 11 in. (108 lb. label)	100 sheets / 30 labels per sheet (1.0 x 2.625 in. labels)	016-1812-00

Phaser Color Laser Labels

Size	Description	Part Number
A/Letter (U. S.) 8.5 x 11 in. (108 lb. label)	100 sheets / 6 labels per sheet (3.33 x 4.0 in. labels)	016-1813-00
A4 (Metric Letter) 210 x 297 mm (176 g/m ²)	100 sheets / 14 labels per sheet (38.1 x 99.1 mm labels)	016-1814-00
A4 (Metric Letter) 210 x 297 mm (176 g/m ²)	100 sheets / 8 labels per sheet (67.7 x 99.1 mm labels)	016-1815-00

Phaser Premium Cover Paper

Item	Description	Part Number
A/Letter (U.S.) 8.5 x 11 in. (60 lb., 163 g/m ²)	100 sheets	016-1823-00
A4 (Metric Letter) 210 x 297 mm (60 lb., 163 g/m ²)	100 sheets	016-1824-00

Phaser CD/DVD Labels and Inserts

Item	Description	Part Number
A/Letter (U.S.) 8.5 x 11 in.	10 sheets / 2 labels per sheet 20 sheets / 1 insert per sheet A/Letter (U.S.) 8.5 x 11 in. cards	016-2011-00
A4 (Metric Letter) 210 x 297 mm	10 sheets / 2 labels per sheet 20 sheets / 1 insert per sheet A4 (Metric Letter) 210 x 297 mm cards	016-2026-00

Phaser Premium Business Cards

Item	Description	Part Number
A/Letter (U.S.) 8.5 x 11 in. (70 lb.)	25 sheets / 10 cards per sheet 2.0 x 3.5 in. cards	016-1898-00
A4 (Metric Letter) 210 x 297 mm (190 g/m ²)	25 sheets / 10 cards per sheet 51 x 89 mm cards	016-1899-00

Phaser Premium Greeting Cards with Envelopes (Size A7)

Item	Description	Part Number
A/Letter (U.S.) 8.5 x 11 in. (70 lb.)	25 sheets /envelopes	016-1987-00
A4 (Metric Letter) 210 x 297 mm (190 g/m ²)	25 sheets / envelopes	016-1988-00

Cleaning Kit

Item	Description	Part Number
Cleaning Kit	Contains instructions and five alcohol wipes	016-1845-00

